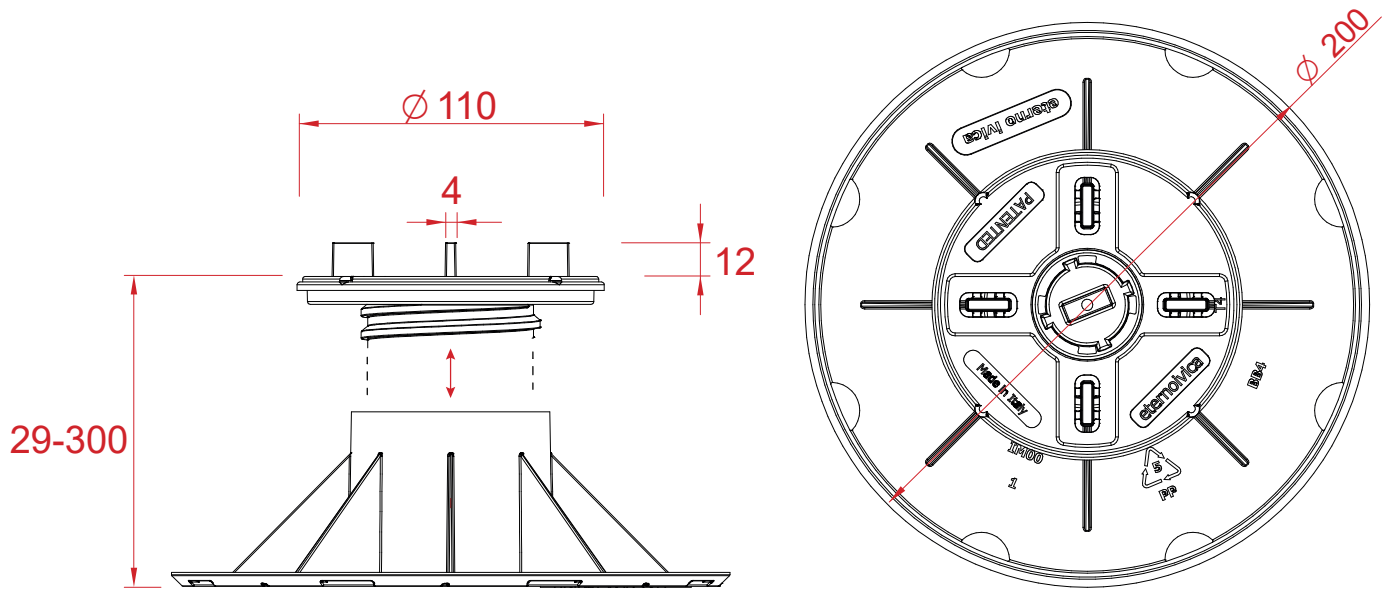




TECHNICAL DATA SHEET PEDESTAL SB PLUS

eternoivica

INNOVATION LEADER



TECHNICAL SPECIFICATION:

Supply and installation of supports for raised floors type "SB PLUS", equipped with bi-material head, with anti-noise and anti-slip rubber finish. The supports are composed of polypropylene elements consisting of a cylindrical base with a minimum diameter of 196mm, a screw with an adjustable height from 29mm up to 122mm, equipped with an anti-screwing safety lock and a head having 110mm of diameter, equipped with N°4 spacer tabs with a thickness of either 2, 3, or 4mm and a height of 12mm easily removable if necessary. In the base there are holes for the outflow of water and n. 4 grooves to facilitate the cutting if needed. The height adjustment is carried out using the tailored key, which acts on the screw independently from both the head and the base. It is possible to increase the height of the supports by using the PSB extension, through which the maximum height of 300mm is reached. Slope compensation is performed by using the TWIST TW compensator.

CHARACTERISTICS:

- Adjustable in height
- Bi-component head (PP and rubber)
- Tailored key for height adjustment
- Easy removable tabs
- Anti-screwing safety lock

RAW MATERIAL:

Polypropylene and rubber (head top finishing)

ENVIRONMENTAL IMPACT:

recyclable material - not dangerous

APPLICATIONS SURFACES:

- On any waterproofing membrane
- On any insulating hard panel
- On any compact and solid surface

APPLICATIONS AREA:

Can be used with any prefabricated self supporting element for outdoor flooring

GENERAL CHARACTERISTICS & PROPERTIES

	UNIT	VALUE	TOLERANCE +/-
BASE DIAMETER	mm	200	+/- 1.0
BASE THICKNESS	mm	3	+/- 0.2
HEAD DIAMETER	mm	110	+/- 0.8
SURFACE OF THE BASE	cmq	301	+/- 5
TABS THICKNESS	mm	4	+/- 0.2
TABS HEIGHT	mm	12	+/- 0.2
SHORE	Shore d	70	+/- 3
FIRE REACTION*	UNI-EN 13501-1:2009	CLASSE "E"	
LOW T(°C) REACTION	°C	-40	

*Tests made by Giordano S.p.A. Institute of Bellaria-Igea Marina (RN)-Italy



TECHNICAL DATA SHEET

PEDESTAL SB PLUS

eternoivica

INNOVATION LEADER



ITEMS CHARACTERISTICS & PROPERTIES

SBP1_E015800304	UNIT	VALUE	TOLERANCE	PACK/STORAGE	
min HEIGHT	mm	29	+/- 1,0	PIECES PER BOX	25
MAX HEIGHT	mm	37	+/- 1,5	BOXES PER PALLET	66
WEIGHT	kg	0.166	+/- 5 %	BOX DIMENSION	39.5x39.5x19cm
MAX CENTRAL COMPRESSION RESISTANCE*	kN	11.4	/	BOX WEIGHT	4.5kg
				PALLET /Pcs PER PALLET	80x120cm /1650

SBP2_E015800405	UNIT	VALUE	TOLERANCE	PACK/STORAGE	
min HEIGHT	mm	37	+/- 1,0	PIECES PER BOX	25
MAX HEIGHT	mm	52	+/- 1,5	BOXES PER PALLET	54
WEIGHT	kg	0.185	+/- 5 %	BOX DIMENSION	40x40x24cm
MAX CENTRAL COMPRESSION RESISTANCE*	kN	14.7	/	BOX WEIGHT	5kg
				PALLET /Pcs PER PALLET	80x120cm/1350

SBP3_E015800508	UNIT	VALUE	TOLERANCE	PACK/STORAGE	
min HEIGHT	mm	52	+/- 1,0	PIECES PER BOX	25
MAX HEIGHT	mm	82	+/- 1,5	BOXES PER PALLET	42
WEIGHT	kg	0.206	+/- 5 %	BOX DIMENSION	40x40x31cm
MAX CENTRAL COMPRESSION RESISTANCE*	kN	13.4	/	BOX WEIGHT	5.5kg
				PALLET /Pcs PER PALLET	80x120cm/1050

SBP4_E015800712	UNIT	VALUE	TOLERANCE	PACK/STORAGE	
min HEIGHT	mm	72	+/- 1,0	PIECES PER BOX	25
MAX HEIGHT	mm	122	+/- 1,5	BOXES PER PALLET	30
WEIGHT	kg	0.250	+/- 5 %	BOX DIMENSION	39.5x39.5x42cm
MAX CENTRAL COMPRESSION RESISTANCE*	kN	12.4	/	BOX WEIGHT	6.5kg
				PALLET /Pcs PER PALLET	80x120cm/750

SBP5_E015801117	UNIT	VALUE	TOLERANCE	PACK/STORAGE	
min HEIGHT	mm	114	+/- 1,0	PIECES PER BOX	25SBP3 + 50PSB
MAX HEIGHT	mm	170	+/- 1,5	BOXES PER PALLET	42 + 42
WEIGHT	kg	0.285	+/- 5 %	BOX DIMENSION	40x40x31cm + 39x39x29.5cm
MAX CENTRAL COMPRESSION RESISTANCE*	kN	8.5	/	BOX WEIGHT	5.5kg + 4kg
				PALLET /Pcs PER PALLET	80x120cm 1050 + 2100

SBP6_E015801320	UNIT	VALUE	TOLERANCE	PACK/STORAGE	
min HEIGHT	mm	134	+/- 1,0	PIECES PER BOX	25SBP4 + 50PSB
MAX HEIGHT	mm	212	+/- 1,5	BOXES PER PALLET	30 + 42
WEIGHT	kg	0.330	+/- 5 %	BOX DIMENSION	39.5x39.5x42cm + 40x40x30cm
MAX CENTRAL COMPRESSION RESISTANCE*	kN	8	/	BOX WEIGHT	6.5kg + 4kg
				PALLET /Pcs PER PALLET	80x120cm 750 + 2100



TECHNICAL DATA SHEET

PEDESTAL SB PLUS

eternoivica

INNOVATION LEADER



ITEMS CHARACTERISTICS & PROPERTIES

SBP7_E015801726	UNIT	VALUE	TOLERANCE	PACK/STORAGE	
min HEIGHT	mm	177	+/- 1,0	PIECES PER BOX	25SBP3+50PSB(X2)
MAX HEIGHT	mm	260	+/- 1,5	BOXES PER PALLET	42 + 42 (X2)
WEIGHT	kg	0.370	+/- 5 %	BOX DIMENSION	40x40x31cm + 39x39x29.5cm
MAX CENTRAL COMPRESSION RESISTANCE*	kN	7.4	/	BOX WEIGHT	5.5kg + 4kg (X2)
				PALLET /Pcs PER PALLET	80x120cm 1050 + 2100

SBP8_E015801929	UNIT	VALUE	TOLERANCE	PACK/STORAGE	
min HEIGHT	mm	197	+/- 1,0	PIECES PER BOX	25 SBP4+50PSB(X2)
MAX HEIGHT	mm	300	+/- 1,5	BOXES PER PALLET	30 + 42 (X2)
WEIGHT	kg	0.410	+/- 5 %	BOX DIMENSION	39.5x39.5x42cm + 40x40x30cm
MAX CENTRAL COMPRESSION RESISTANCE*	kN	7.5	/	BOX WEIGHT	6.5kg + 4kg (X2)
				PALLET /Pcs PER PALLET	80x120cm 750 + 2100

*Tests made by the ECAMRICERT S.R.L. Research and Analysis Laboratory (1 kN = 102 kg)

The packaging of the supports consists of cardboard boxes. The final packaging of the pallets is made with the wrapping of a polyethylene film. Indoor storage, protected from precipitation, is recommended.

INSTALLATION METHOD: The product is laid dry, without the need for adhesives or other types of fixings.

The above data are relevant to current production and may be changed or updated by Eterno Ivica at any time without notice. Given the many possible uses and the possible interference of external elements, we do not assume responsibility for the results. The buyer is required to establish under their own responsibility the suitability of the product for the intended use. This document is property of Eterno Ivica. All rights reserved.